

## 1 - INTRODUCTION

With the introduction of the new 4SP integrated starting device to the market, Embraco conducted an evaluation of the use of this component with our compressor under normal handling, assembling, shipping and use conditions.

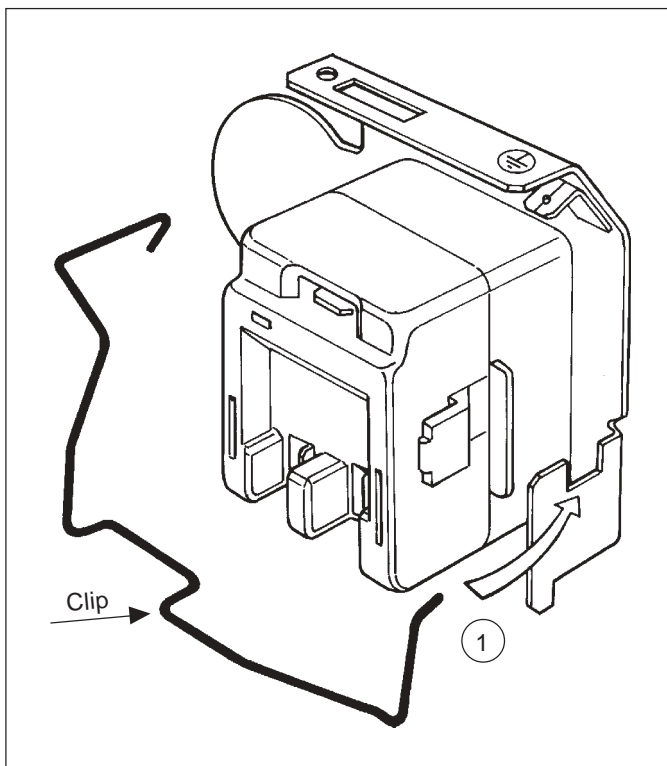
Although the 4SP was designed for use without clip holder, the use of a "safety clip" would be prudent to insure the starting device remains securely fixed to the compressor during system shipping and transportation.

Even for those systems in which the compressor compartment is fully enclosed, the clip enhances the safety for the final user.

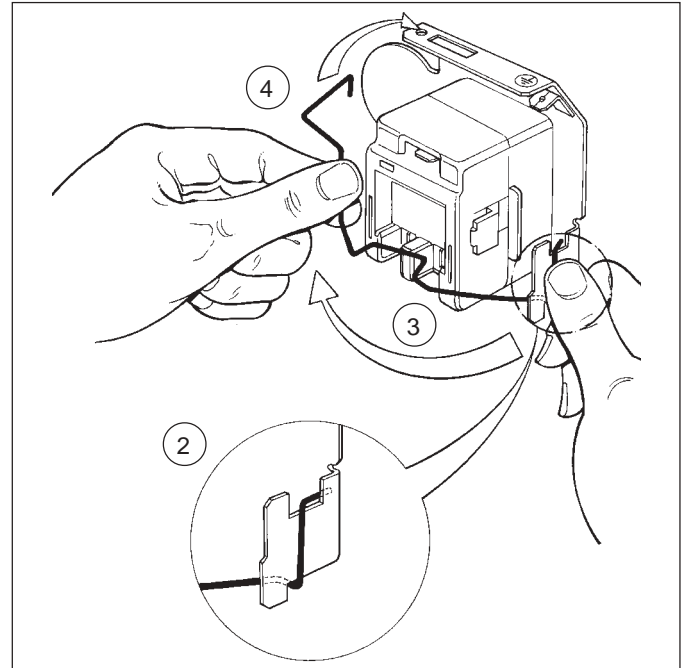
For the convenience of customers who would like to follow this recommendation, Embraco has designed a 4SP Clip for use when applying the 4SP. This clip can be ordered directly from a supplier, or from Embraco when placing your compressor order. Detailed drawings of the 4SP Clip are available for customers who prefer to source this device on their own.

## 2 - ASSEMBLY SEQUENCE

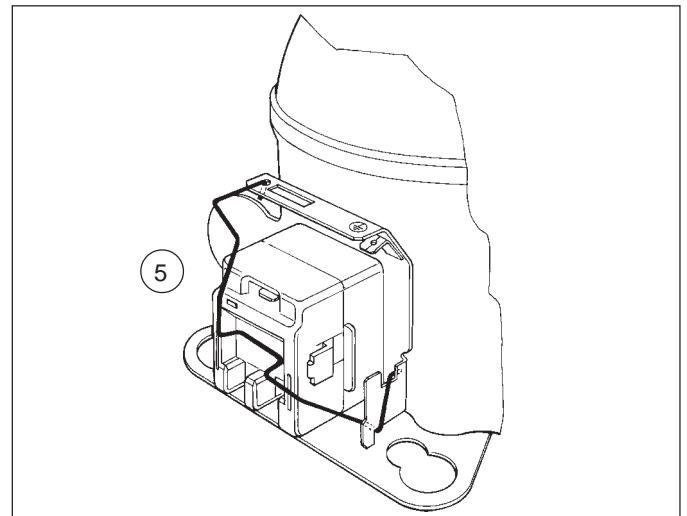
- a) Place one end of the clip in the relay support, as shown in step 1 in the drawing below.



- b) After fitting it into position, as shown in step 2 (see detail), move it in a clockwise direction as demonstrated in step 3.



- c) Next, fit the other clip end into the hole in the fence, as shown in step 4.
- d) The drawing below shows the clip after assembly has been completed.



## 3 - CLIP SPECIFICATION

L = 190.8 mm (7.51")

ø = 1.5 mm (0.06")

Type of material = AISI 302 (stainless steel)