

COOLING SOLUTIONS



 **Embraco** aspera

# Condensing Units - 1 to 5HP

## Commercial Refrigeration

Driven by its vision "To be, in every market, the preferred provider of cooling solutions" Embraco is launching Condensing Units with capacities previously not available in its product lines.

The new line of Embraco Aspera Condensing Units was designed in accordance with the strictest quality and reliability standards, available for a wide range of applications, varying from 1HP up to 5HP in medium and high evaporating temperature applications with R 22 and from 1HP up to 4HP in low evaporating temperature applications with R 404A.

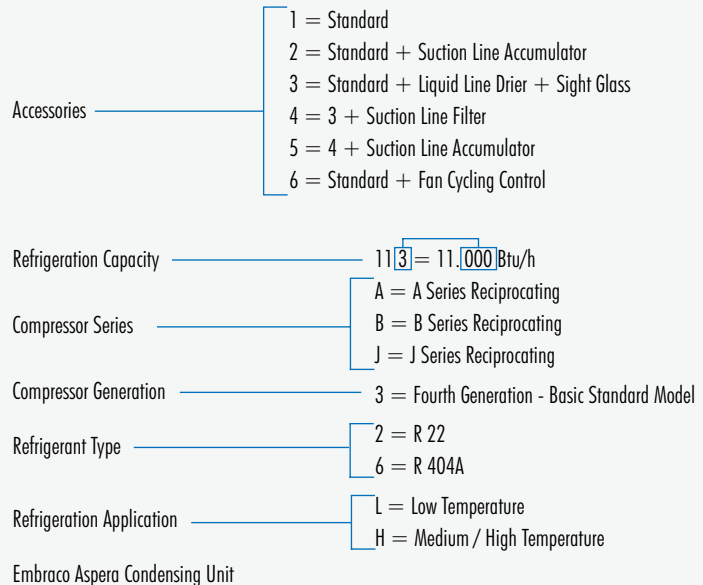
## Product Technical Information

The Embraco Aspera Condensing Units are designed to operate in ambient temperatures up to 110°F. They are equipped with Rotalock valve, pressure controls, service valves in liquid and suction lines, conduit, fan guard, reinforced base, electrical box plus condensers and fans able to perform maximum heat rejection.

Customized options with suction accumulators, fan cycling control, liquid line drier and sight glass can also be provided in accordance with the needs of each of our customers.

## Condensing Unit Denomination

**U L 6 3 A 113 1**



Standard = Receiver with Rotalock Valve, High/Low Pressure Switch, Liquid and Suction Service Valves, Fan Guard and Connection Box.

# Technical Specifications

# 60 Hz

Refrigerant	Condensing Unit	Commercial Reference HP	Compressor Model	Voltage V	Phases	Compressor				Fan			Condensing Unit	
						Displa. cu in	Oil Charge oz	LRA A	MCC A	Quantity	Current A	Cons. W	Current A	Cons. W
R 404A	UL63J053	1	J2192GK	208-230	1	1.59	30.00	40	-	1	0.55	80	5.45	1090
	UL63B083	2	L63B752BBCA	208-230	1	3.00	40.00	55	15.4	1	0.83	190	8.20	1730
	UL63B083*		L63B752DBDA	208-230	3	3.00	40.00	48	10.0	1	0.83	190	6.90	1790
	UL63B083*		L63B752DBEA	460	3	3.00	40.00	24	5.6	1	0.83	190	3.90	1790
	UL63A113	3	L63A113BBCA	208-230	1	4.05	50.72	65	21.5	2	1.66	380	12.13	2359
	UL63A113*		L63A113DBLA	200-230	3	4.05	50.72	50	14.0	2	1.66	380	6.39	2230
	UL63A113*		L63A113DBEA	460	3	4.05	50.72	30	8.0	2	1.66	380	4.13	2270
	UL63A183*	4	L63A183BBCA	208-230	1	6.17	50.72	110	32.0	2	1.66	380	17.15	3645
UL63A183	L63A183DBDA		208-230	3	6.17	50.72	78	18.0	2	1.66	380	11.35	3625	
UL63A183*	L63A183DBEA		460	3	6.17	50.72	39	9.0	2	1.66	380	6.55	3570	
R 22	UH23J133	1	J9232E	208-230	1	1.59	30.00	42.5	-	1	0.55	80	8.35	1566
	UH23B193	1 1/2	H23B193ABCA	208-230	1	2.03	40.58	57	16.0	1	0.83	190	9.03	1990
	UH23B20Q*		H23B20QDBDA	208-230	3	2.18	40.58	48	12.0	1	0.83	190	7.33	2025
	UH23B243	2	H23B243ABCA	208-230	1	2.61	40.58	66	20.2	2	1.66	380	12.83	2610
	UH23B243*		H23B243DBDA	208-230	3	2.61	40.58	48	13.0	2	1.66	380	8.13	2450
	UH23B303	2 1/2	H23B303ABCA	208-230	1	3.15	40.58	82	24.5	2	1.66	380	14.85	2990
	UH23B30Q*		H23B30QDBDA	208-230	3	3.15	40.58	67	16.0	2	1.66	380	10.85	3100
	UH23A323*		H23A323DBEA	460	3	3.53	50.72	30	8.0	2	1.66	380	6.15	3060
	UH23A383	3	H23A383ABCA	208-230	1	4.05	50.72	97	30.0	2	1.66	380	18.55	3690
	UH23A383*		H23A383DBLA	208-230	3	4.05	50.72	78	20.0	2	1.66	380	11.95	3650
	UH23A383*		H23A383DBEA	460	3	4.05	50.72	39	9.5	2	1.66	380	7.05	3650
	UH23A423*	3 1/2	H23A423ABCA	208-230	1	4.43	50.72	110	31.2	2	1.66	380	20.36	4060
	UH23A423*		H23A423DBLA	208-230	3	4.43	50.72	78	20.0	2	1.66	380	13.36	4040
	UH23A423*		H23A423DBEA	460	3	4.43	50.72	39	9.5	2	1.66	380	7.36	4040
	UH23A543	4	H23A543DBLA	208-230	3	5.55	54.10	106	27.0	2	3.10	710	16.16	5270
	UH23A543*		H23A543DBEA	460	3	5.55	54.10	53	14.0	2	3.10	710	9.16	5270
	UH23A623	5	H23A623DBLA	208-230	3	6.17	54.10	124	32.0	2	3.10	710	20.10	5990
UH23A623*	H23A623DBEA		460	3	6.17	54.10	62	16.0	2	3.10	710	11.90	5990	

\* Under Development.

## Refrigeration Capacity (Btu/h) LBP - R 404A

Condensing Unit	Commercial Reference HP	Ambient Temperature °F	Evaporating Temperature (°F)							
			-20	-15	-10	-5	0	5	10	15
UL63J053	1	95	3081	3771	4527	5327	6174	7037	7981	8978
UL63B083	2	95	5999	7040	8372	9531	10344	10873	11361	11964
UL63A113	3	95	6804	7824	10757	13324	14587	14702	14682	15643
UL63A183	4	95	13993	16539	18025	19056	20034	21190	22608	23909

## M/HBP - R 22

Condensing Unit	Commercial Reference HP	Ambient Temperature °F	Evaporating Temperature (°F)									
			5	10	15	20	25	30	35	40	45	50
UH23J133	1	95	4480	5096	5736	6470	7254	8109	9035	10007	11072	12160
UH23B193	1 1/2	95	6806	8015	9408	10788	12112	13428	14824	16362	18021	19643
UH23B20Q			7143	8415	9879	11328	12717	14099	15565	17180	18922	20625
UH23B243	2	95	9206	10715	12444	14032	15414	16716	18154	19931	22128	24603
UH23B243*			9390	10851	12710	14346	15696	17011	18634	20754	23178	25095
UH23B303	2 1/2	95	12302	13132	14631	16594	18747	20844	22776	24670	27000	30683
UH23B30Q*			12060	12875	14344	16269	18380	20435	22329	24187	26471	30081
UH23A323			12425	13263	14777	16760	18935	21053	23003	24917	27270	30989
UH23A383	3	95	13175	15984	17104	18982	22150	26025	29708	32791	36153	42765
UH23A423	3 1/2	95	15714	15710	17815	20917	24459	28276	32432	37056	42177	47567
UH23A543	4	95	19246	22886	26214	29841	33903	38279	42814	47532	52857	59829
UH23A623	5	95	22786	28542	33661	38374	42763	46878	50854	55020	60020	66923

Condensing Temperature at 130°F, Subcooling at 38°F.

## Technical Specifications

# 50 Hz

Refrigerant	Condensing Unit	Commercial Reference	Compressor Model	Voltage	Phases	Compressor				Fan			Condensing Unit	
						Displa. cu in	Oil Charge oz	LRA A	MCC A	Quantity	Current A	Cons. W	Current A	Cons. W
R 404A	UL63B083*	2	L63B752DBD	200-220	3	-	-	-	-	-	-	-	-	-
	UL63B083*		L63B752DBE	380-415	3	-	-	-	-	-	-	-	-	-
	UL63A113*	3	L63A113BBK	220-240	1	4.05	50.72	60	18	1	0.58	130	9.58	1970
	UL63A113*		L63A113DBL	200-220	3	4.05	50.72	50	14	1	0.58	130	5.07	1858
	UL63A113*		L63A113DBE	380-415	3	4.05	50.72	30	8	1	0.58	130	3.25	1892
	UL63A183*	4	L63A183BBK	220-240	1	6.17	50.72	104	28	1	1.10	245	10.10	2864
	UL63A183*		L63A183DBD	200-220	3	6.17	50.72	78	18	1	1.10	245	6.60	2840
	UL63A183*		L63A183DBE	380-415	3	6.17	50.72	39	9	1	1.10	245	3.84	2805
R 22	UH23B20Q*	1 1/2	H23B20QDBD	200-220	3	2.18	40.58	48	12	1	0.58	130	7.68	1910
	UH23B243*	2	H23B243DBD	200-220	3	2.61	40.58	48	12	1	0.58	130	8.08	2130
	UH23B30Q*	2 1/2	H23B30QDBD	200-220	3	3.15	40.58	67	16	1	1.10	245	10.80	2905
	UH23A323*		H23A323DBE	380-415	3	3.52	50.72	30	8	1	1.10	245	5.40	2825
	UH23A383*	3	H23A383DBL	200-220	3	4.05	50.72	82	20	1	1.10	245	11.80	3385
	UH23A383*		H23A383DBE	380-415	3	4.05	50.72	39	9.5	1	1.10	245	6.30	3295
	UH23A423*	3 1/2	H23A423DBL	200-220	3	4.43	50.72	82	20	2	1.16	260	12.36	3650
	UH23A423*		H23A423DBE	380-415	3	4.43	50.72	39	9.5	2	1.16	260	6.96	3690
	UH23A543*	4	H23A543DBL	200-220	3	5.55	50.72	106	25	2	1.16	260	16.26	4840
	UH23A543*		H23A543DBE	380-415	3	5.55	50.72	53	12.5	2	1.16	260	8.36	4700
	UH23A623*	5	H23A623DBL	200-220	3	6.17	50.72	124	32	2	2.20	490	20.20	5590
	UH23A623*		H23A623DBE	380-415	3	6.17	50.72	62	16	2	2.20	490	10.40	5490

\* Under Development.

## Refrigeration Capacity (Btu/h)

### LBP - R 404A

Condensing Unit	Commercial Reference HP	Ambient Temperature °F	Evaporating Temperature (°F)							
			-20	-15	-10	-5	0	5	10	15
UL63B083	2	95	5003	5872	6982	7948	8626	9067	9474	9979
UL63A113	3	95	5673	6524	8971	11112	12164	12261	12245	13045
UL63A183	4	95	11670	13793	15031	15891	16707	17671	18852	19938

### M/HBP - R 22

Condensing Unit	Commercial Reference HP	Ambient Temperature °F	Evaporating Temperature (°F)									
			5	10	15	20	25	30	35	40	45	50
UH23B20Q	1 1/2	95	5675	6684	7846	8997	10100	11198	12362	13644	15028	16381
UH23B243	2	95	7831	9049	10599	11964	13089	14186	15539	17307	19329	20927
UH23B30Q	2 1/2	95	10057	10736	11962	13567	15327	17041	18621	20170	22075	25085
UH23A323		95	10361	11061	12323	13977	15790	17556	19183	20779	22741	25843
UH23A383	3	95	10987	13330	14263	15830	18472	21703	24774	27345	30149	35663
UH23A423	3 1/2	95	13104	13101	14856	17443	20397	23580	27046	30901	35173	39667
UH23A543	4	95	16050	19085	21860	24885	28272	31922	35704	39638	44078	49892
UH23A623	5	95	19001	23802	28071	32001	35661	39093	42408	45882	50052	55808

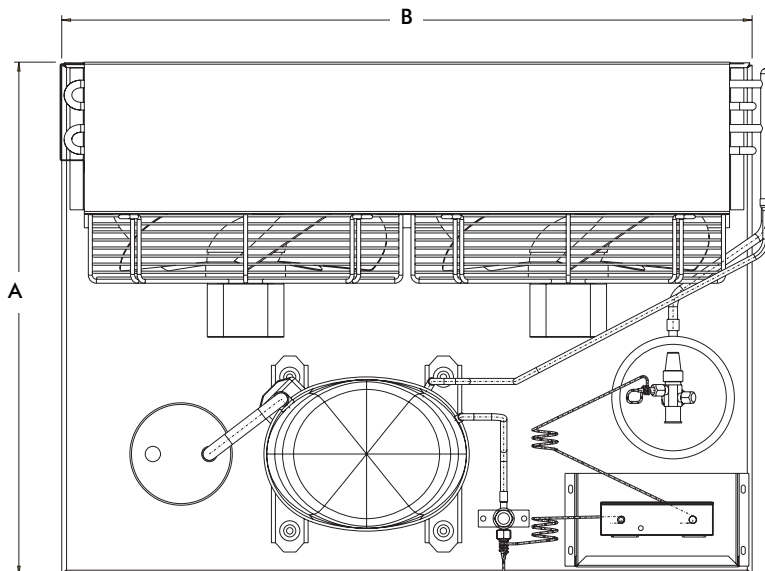
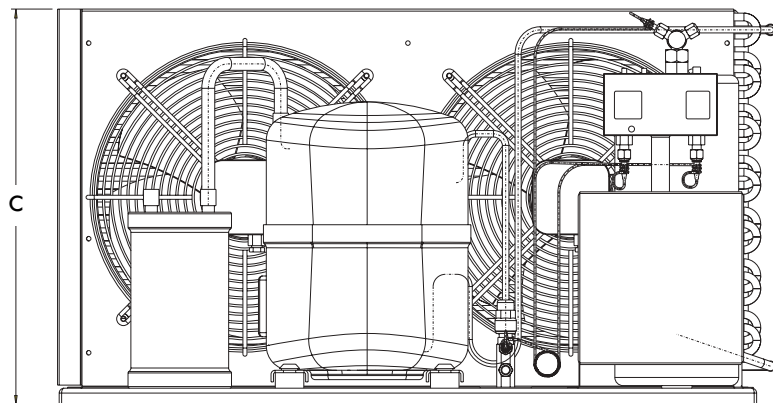
Condensing Temperature at 130°F, Subcooling at 38°F.

## General Dimensions

Refrigerant	Condensing Unit	Comercial Reference	Weight Unit lb	Dimensions			Connections (in)		Fan		Liquid tank Volume oz	Suction Accumulator** Volume oz
				A in	B in	C in	Line		Air Flow cu ft/h	Diameter in		
							Suction	Liquid				
R 404A	UL63J053	1	77.16	24.21	17.91	13.38	1/2	3/8	49440	11.81	67.63	-
	UL63B083	2	154.32	24.21	19.49	16.14	3/4	3/8	113007	13.78	118.33	-
	UL63A113	3	165.35	25.20	33.46	19.09	3/4	3/8	190699	13.78	118.33	91.30
	UL63A183	4	187.39	25.20	33.46	19.09	3/4	3/8	190699	13.78	118.33	91.30
R 22	UH23J133	1	77.16	24.21	17.91	13.38	1/2	3/8	49440	11.81	67.63	-
	UH23B193	1 1/2	154.32	24.21	19.49	16.14	5/8	3/8	113007	13.78	118.33	-
	UH23B20Q *											
	UH23B243	2	165.35	25.20	33.46	19.09	3/4	3/8	190699	13.78	118.33	91.30
	UH23B243											
	UH23B303	2 1/2	187.39	25.20	33.46	19.09	3/4	3/8	190699	13.78	118.33	91.30
	UH23B30Q *											
	UH23A323 *	3	209.47	25.20	33.46	19.09	7/8	3/8	190699	13.78	118.33	135.26
	UH23A383											
	UH23A423 *	3 1/2	253.57	28.74	45.28	26.18	7/8	3/8	300175	17.72	236.67	145.40
UH23A543	4	253.57	28.74	45.28	26.18	7/8	1/2	300175	17.72	236.67	145.40	
UH23A623	5	253.57	28.74	45.28	26.18	7/8	1/2	300175	17.72	236.67	145.40	

\* Under Development.

\*\* Optional.





**Embraco - Empresa Brasileira de Compressores S.A.**

Rui Barbosa, 1020 - P.O. Box 91  
89219-901 - Joinville - SC - Brazil  
Phone: + 55 47 3441-2121  
Fax: + 55 47 3441-2780



**Embraco Europe S.r.l.**

Via Buttigliera 6  
10020 - Riva Presso Chieri (Torino) - Italy  
P.O. Box 151 - 10023 Chieri (TO)  
Phone: + 39 011 9437-111  
Fax: + 39 011 9468-377  
+ 39 011 9469-950

**Embraco Europe (Sales Office)**

Zona Industriale D1 - Via Fratelli Gambino, 7  
10023 - Chieri (Torino) - Italy  
Phone: + 39 011 9405-611  
Fax: + 39 011 9405-656



**Embraco Slovakia S.r.o.**

Odorinska Cesta, 2 - 052-01  
Spišská Nová Ves - Slovakia  
Phone: + 421 53 4172-291  
+ 421 53 4172-293  
Fax: + 421 53 4172-299

**Embraco Europe (Sales Office)**

Zona Industriale D1 - Via Fratelli Gambino, 7  
10023 - Chieri (Torino) - Italy  
Phone: + 39 011 9405-611  
Fax: + 39 011 9405-656



**Embraco North America, Inc.**

2232 Northmont Parkway  
Duluth, Georgia - USA 30096  
Phone: + 1 770 814-8004  
+ 1 800 548-9498  
Fax: + 1 770 622-4620  
+ 1 800 462-1038

**Embraco México (Sales Office)**

Carretera Miguel Alemán, km 14,2  
Parque Alianza de Negocios - Local 21A  
Apodaca, Nuevo León - Mexico 66600  
Phone: + 52 8 1086 1125  
Fax: + 52 8 1086 1124



**Beijing Embraco Snowflake Compressor Company Ltd.**

Nº 15, Jia Jia Huayuan, Fengtai District  
100075 - Beijing - China  
Phone: + 86 10 6725-2244  
Fax: + 86 10 6725-6825