



Brazil

Rui Barbosa, 1020 - P.O. BOX 91  
89219-901 - Joinville - SC - Brazil  
Phone: +55 47 3441-2121  
Fax: +55 47 3441-2780



Italy

Via Buttigliera 6  
10020 - Riva Presso Chieri (Torino) - Italy  
P.O. BOX 151 - 10023 Chieri (TO)  
Phone: +39 011 943-7111  
Fax: +39 011 946-8377  
+39 011 946-9950

Sales Office  
Zona Industriale D1 - Via Fratelli Gambino, 7  
10023 - Chieri (Torino) - Italy  
Phone: +39 011 940-5611  
Fax: +39 011 940-5656



Slovakia

Odorinska Cesta, 2 - 052-01  
Spišská Nová Ves - Slovakia  
Phone: +42 153 417-2291  
+42 153 417-2293  
Fax: +42 153 417-2299

Sales Office  
Zona Industriale D1 - Via Fratelli Gambino, 7  
10023 - Chieri (Torino) - Italy  
Phone: +39 011 940-5611  
Fax: +39 011 940-5656



U.S.A.

2232 Northmont Parkway  
Duluth, Georgia - U.S.A. 30096  
Phone: +1 770 814-8004  
+1 800 548-9498  
Fax: +1 770 622-4620  
+1 800 462-1038

México - Sales Office  
Torre Alestra, Piso 3 - Office 373  
Av. Lázaro Cárdenas 2321 Pte.  
P.O. BOX 66260 - San Pedro Garza García  
Nuevo León - México  
Phone: +52 81 1001-7102  
Fax: +52 81 1001-7142



China

29 Yuhua Road  
Area B of Beijing Tianzhu Airport Industrial Zone  
101312 - Beijing - China  
Phone: +86 10 8048-2255  
Fax: +86 10 6725-6825

## COOLING SOLUTIONS



R 404A

Product Line **A**  
**B**



soluciones.com

Subject to alteration without previous notice. - Code 03026 - Date December 2003 - Version 00.

# R 404A

## Commercial Refrigeration

Driven by Embraco's vision "To be, in every market, the preferred provider of cooling solutions", Embraco is now able to offer its customers a range of compressors with cooling capacities previously not available in its line.

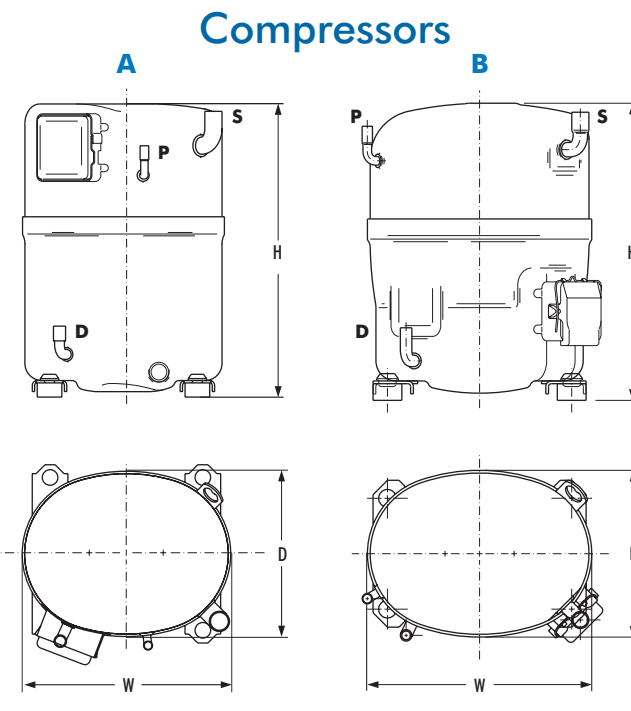
These are the new A and B Embraco Aspera commercial refrigeration compressor lines for R 404A application. Product capacities range from 2800 to 13647 Btu/h (LBP - ARI Rated Point) and from 6200 to 27150 Btu/h (MBP - ARI Rated Point).

Embraco Aspera: products made to the highest performance standards.



Produced by Bristol in USA

COMPRESSORS		
CONNECTORS	A (in)	B (in)
MATERIAL	Copper	Copper
S - SUCTION	3/4	5/8
D - DISCHARGE	1/2	3/8
P - PROCESS	3/8	3/8



### LBP R 404A

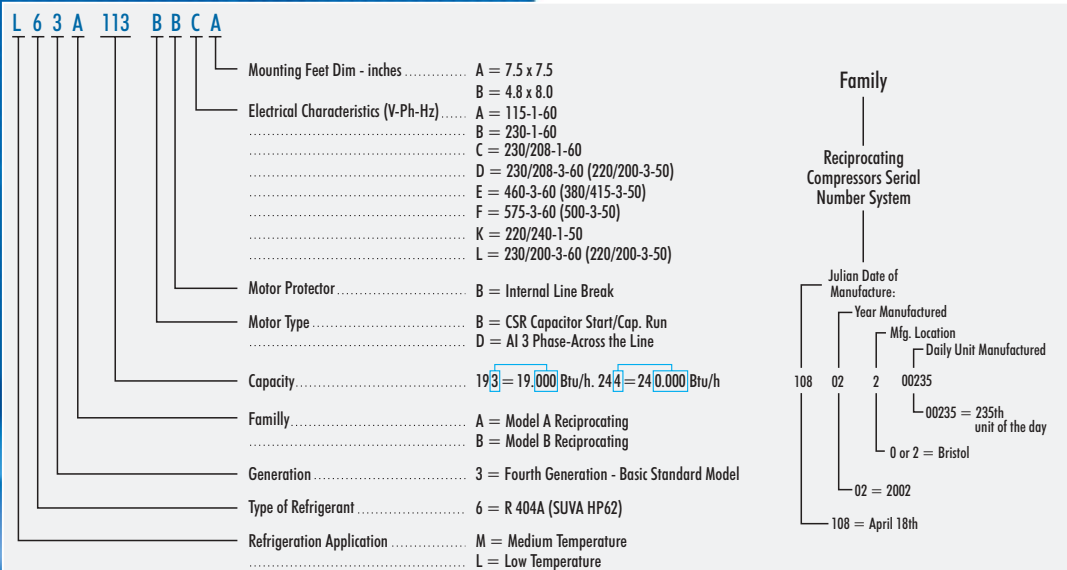
Hz	HP	Low Temp Model Reference	Voltage (V-Ph-Hz)	Displacement (cu in)	Rated Capacity @ ASHRAE	Rated Capacity @ ARI	Dimensions (in)		
					(Btu/h)	(Btu/h)	H	W	D
60	1	L63B562BBAB	115-1-60	2.12	5350	3425	12.91	9.75	7.25
	1	L63B562BBCB	230/208-1-60	2.12	5350	3425	12.91	9.75	7.25
	1	L63B562DBDB	230/208-3-60	2.12	5350	3425	12.91	9.75	7.25
	1	L63B562DBEB	460-3-60	2.12	5350	3425	12.91	9.75	7.25
	1 1/4	L63B652BBCB	230/208-1-60	2.61	6200	3970	13.53	9.75	7.25
	1 1/4	L63B652DBDB	230/208-3-60	2.61	6200	3970	12.91	9.75	7.25
	1 1/4	L63B652DBEB	460-3-60	2.61	6200	3970	12.91	9.75	7.25
	2	L63B752BBCB	230/208-1-60	2.97	7600	4850	13.53	9.75	7.25
	2	L63B752DBDB	230/208-3-60	2.97	7600	4850	12.91	9.75	7.25
	2	L63B752DBEB	460-3-60	2.97	7600	4850	12.91	9.75	7.25
	3	L63A113BBCA	230/208-1-60	4.05	10700	7698	14.91	10.25	8.12
	3	L63A113DBLA	230/208-3-60	4.05	10800	7310	14.91	10.25	8.12
	3	L63A113DBEA	460-3-60	4.05	10800	7310	14.91	10.25	8.12
	4	L63A183BBCA	230/208-1-60	6.17	18100	13316	14.91	10.25	8.12
	4	L63A183DBDA	230/208-3-60	6.17	18000	13674	14.91	10.25	8.12
	4	L63A183DBEA	460-3-60	6.17	18000	13647	14.91	10.25	8.12
50	1	L63B562DBDB	220/200-3-50	2.12	4500	2860	12.91	9.75	7.25
	1	L63B562DBEB	380/415-3-50	2.12	4500	2860	12.91	9.75	7.25
	1 1/4	L63B652DBDB	220/200-3-50	2.61	5200	3325	12.91	9.75	7.25
	1 1/4	L63B652DBEB	380/415-3-50	2.61	5200	3325	12.91	9.75	7.25
	2	L63B752DBDB	220/200-3-50	2.97	6350	4050	12.91	9.75	7.25
	2	L63B752DBEB	380/415-3-50	2.97	6350	4050	12.91	9.75	7.25
	3	L63A113DBLA	220/200-3-50	4.05	9000	6092	14.91	10.25	8.12
	3	L63A113DBEA	380/415-3-50	4.05	8600	6188	14.91	10.25	8.12
	3	L63A113BBKA	220/240-1-50	4.05	9200	6682	14.91	10.25	8.12
	4	L63A183DBDA	220/200-3-50	6.17	15000	11373	14.91	10.25	8.12
	4	L63A183DBEA	380/415-3-50	6.17	15000	11341	14.91	10.25	8.12
	4	L63A183BBKA	220/240-1-50	6.17	14400	11534	16.41	10.25	8.12

### Product Data

### MBP R 404A

Hz	HP	Low Temp Model Reference	Voltage (V-Ph-Hz)	Displacement (cu in)	Rated Capacity @ ASHRAE	Rated Capacity @ ARI	Dimensions (in)			
					(Btu/h)	(Btu/h)	H	W	D	
60	1	M63B872BBCB	230/208-1-60	1.70	7980	6573	12.91	9.75	7.25	
	1	M63B982BBCB	230/208-1-60	1.84	9500	7716	12.91	9.75	7.25	
	1 1/2	M63B123DBDB	230/208-3-60	2.44	12000	10200	12.91	9.75	7.25	
	1 1/2	M63B123BBCB	230/208-1-60	2.44	12000	10200	13.53	9.75	7.25	
	2	M63B153BBCB	230/208-1-60	2.82	14950	12740	13.53	9.75	7.25	
	2	M63B153DBEB	460-3-60	2.82	15000	12700	13.53	9.75	7.25	
	2	M63B153DBVB	460-380-3-60	2.82	14500	12390	13.53	9.75	7.25	
	2	M63B153DBLB	230-200-3-60	2.82	14900	12390	13.53	9.75	7.25	
	2 1/4	M63B203BBCB	230/208-1-60	3.34	19600	15903	13.53	9.75	7.25	
	2 1/4	M63B203DBDB	230/208-3-60	3.34	19200	15991	13.53	9.75	7.25	
	2 1/2	M63A243BBCA	230/208-1-60	4.42	24000	20375	14.91	10.25	8.12	
	2 1/2	M63A243DBDA	230/208-3-60	4.42	24000	20375	14.91	10.25	8.12	
	2 1/2	M63A243DBEA	460-3-60	4.42	24000	20375	14.91	10.25	8.12	
	3	M63A273BBCA	230/208-1-60	4.75	26650	22150	14.91	10.25	8.12	
	3	M63A273DBDA	230/208-3-60	4.75	26800	21650	14.91	10.25	8.12	
	3	M63A273DBEA	460-3-60	4.75	26650	21644	14.91	10.25	8.12	
	3	M63A273DBFA	573-3-60	4.75	27000	22900	14.91	10.25	8.12	
	3 1/2	M63A323BBCA	230/208-1-60	5.55	32000	27150	16.41	10.25	8.12	
	3 1/2	M63A323DBDA	230/208-3-60	5.55	32000	27150	16.41	10.25	8.12	
	3 1/2	M63A323DBEA	460-3-60	5.55	32000	27150	16.41	10.25	8.12	
	50	1	M63B872BBKB	220/240-1-50	1.70	6610	5199	12.91	9.75	7.25
		1	M63B982BBKB	220/240-1-50	1.84	7450	6075	12.91	9.75	7.25
		1 1/2	M63B123DBDB	220/230-3-50	2.44	10000	8500	12.91	9.75	7.25
		1 1/2	M63B123BBKB	220/240-1-50	2.44	10000	8500	13.53	9.75	7.25
2		M63B153BBKB	220/240-1-50	2.82	12650	10150	13.53	9.75	7.25	
2		M63B153DBEB	380/415-3-50	2.82	12500	10600	13.53	9.75	7.25	
2		M63B153DBLB	220/200-3-50	2.82	12315	10150	13.53	9.75	7.25	
2		M63B153DBVB	380-415-3-50	2.82	12315	10160	13.53	9.75	7.25	
2 1/4		M63B203BBKB	220/240-1-50	3.34	15945	13596	14.53	9.75	7.25	
2 1/4		M63B203DBDB	220/230-3-50	3.34	16000	13326	13.53	9.75	7.25	
2 1/2		M63A243DBDA	220/230-3-50	4.42	20000	17000	14.91	10.25	8.12	
2 1/2		M63A243DBEA	380/415-3-50	4.42	20000	17000	14.91	10.25	8.12	
3		M63A273DBDA	220/230-3-50	4.75	22010	17965	14.91	10.25	8.12	
3		M63A273DBEA	380/415-3-50	4.75	22010	17964	14.91	10.25	8.12	
3		M63A273DBFA	500-3-50	4.75	22500	19100	14.91	10.25	8.12	
3 1/2		M63A323DBDA	220/230-3-50	5.55	26700	22650	16.41	10.25	8.12	
3 1/2	M63A323DBEA	380/415-3-50	5.55	26700	22650	16.41	10.25	8.12		

## Compressor Model Number System



RATING CONDITION		
LBP	ASHRAE (°F)	ARI (°F)
Evaporator	-10	-10
Condenser	130	120
Ambient	90	95
Liquid	90	120
Return Gas	90	40

RATING CONDITION		
MBP	ASHRAE (°F)	ARI (°F)
Evaporator	20	20
Condenser	130	120
Ambient	95	95
Liquid	115	120
Return Gas	95	40