

COOLING SOLUTIONS

**R 404A**

**Product Line**    **A**  
                                 **B**



 **Embraco**<sup>®</sup>

# R 404A

## Commercial Refrigeration

Driven by Embraco's vision "To be, in every market, the preferred provider of cooling solutions", Embraco is now able to offer its customers a range of compressors with cooling capacities previously not available in its line.

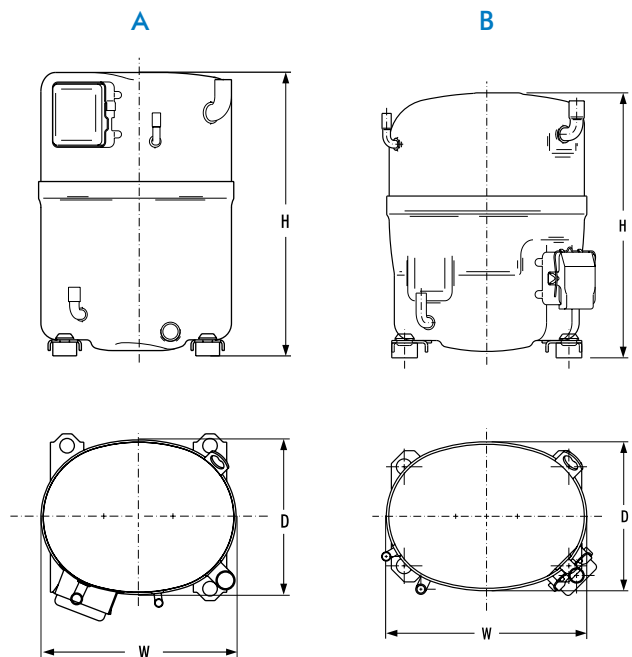
These are the new A and B Embraco Aspera commercial refrigeration compressor lines for R 404A application. Product capacities range from 2800 to 13647 Btu/h (820 to 4007 W) (LBP - ARI Rated Point) and from 5360 to 27150 Btu/h (1571 to 7955 W) (MBP - ARI Rated Point).

Embraco Aspera: products made to the highest performance standards.



Produced by Bristol in USA

## Compressors



CONNECTORS	COMPRESSORS	
	A mm (inch)	B mm (inch)
MATERIAL	COOPER	COOPER
S - Suction	19.0 (3/4)	15.9 (5/8)
D - Discharge	12.7 (1/2)	9.5 (3/8)
P - Process	9.5 (3/8)	9.5 (3/8)

# LBP R404A

# Product Data

Hz	HP	Low Temperature Model Reference	Voltage (V-Ph-Hz)	Rated Capacity @ ASHRAE			Rated Capacity @ ARI			Dimensions mm (inches)		
				(Btu/h)	W	kcal	(Btu/h)	W	kcal	H	W	D
50	1	L63B562DBDB	220/200-3-50	4500	1319	1134	2860	838	721	327.81 (12.906)	247.65 (9.750)	184.15 (7.250)
	1	L63B562DBEB	380/415-3-50	4500	1319	1134	2860	838	721	327.81 (12.906)	247.65 (9.750)	184.15 (7.250)
	1	L63B562BBKB	220/240-1-50	4400	1289	1109	2800	820	706	327.81 (12.906)	247.65 (9.750)	184.15 (7.250)
	1 1/4	L63B652DBDB	220/200-3-50	5200	1524	1310	3325	974	838	327.81 (12.906)	247.65 (9.750)	184.15 (7.250)
	1 1/4	L63B652DBEB	380/415-3-50	5200	1524	1310	3325	974	838	327.81 (12.906)	247.65 (9.750)	184.15 (7.250)
	2	L63B752DBDB	220/200-3-50	6350	1861	1600	4050	1187	1021	327.81 (12.906)	247.65 (9.750)	184.15 (7.250)
	2	L63B752DBEB	380/415-3-50	6350	1861	1600	4050	1187	1021	327.81 (12.906)	247.65 (9.750)	184.15 (7.250)
	3	L63A113DBLA	220/200-3-50	9000	2637	2268	6188	1813	1560	378.61 (14.906)	260.35 (10.250)	206.37 (8.125)
	3	L63A113DBEA	380/415-3-50	8600	2520	2167	6092	1785	1536	378.61 (14.906)	260.35 (10.250)	206.37 (8.125)
	3	L63A113BBKA	220/240-1-50	9200	2696	2318	6375	1868	1606	378.61 (14.906)	260.35 (10.250)	206.37 (8.125)
	4	L63A183DBDA	220/200-3-50	15000	4395	3780	11373	3332	2867	378.61 (14.906)	260.35 (10.250)	206.37 (8.125)
	4	L63A183DBEA	380/415-3-50	15000	4395	3780	11373	3332	2867	378.61 (14.906)	260.35 (10.250)	206.37 (8.125)
	2	L63B752DBL	200/220-3-50	6100	1787	1537	4000	1172	1008	327.81 (12.906)	247.65 (9.750)	184.15 (7.250)
	2	L63B752DBV	380/415-3-50	6100	1787	1537	4000	1172	1008	327.81 (12.906)	247.65 (9.750)	184.15 (7.250)
4	L63A183BBKA	220/240-1-50	14400	4220	3629	11534	3380	2907	416.71 (16.406)	260.35 (10.250)	206.37 (8.125)	
60	1	L63B562BBAB	115-1-60	5350	1568	1348	3425	1004	863	327.81 (12.906)	247.65 (9.750)	184.15 (7.250)
	1	L63B562BBCB	230/208-1-60	5350	1568	1348	3425	1004	863	327.81 (12.906)	247.65 (9.750)	184.15 (7.250)
	1	L63B562DBD	230/208-3-60	5350	1568	1348	3425	1004	863	327.81 (12.906)	247.65 (9.750)	184.15 (7.250)
	1	L63B562DBEB	460-3-60	5350	1568	1348	3425	1004	863	327.81 (12.906)	247.65 (9.750)	184.15 (7.250)
	1 1/4	L63B652BBCB	230/208-1-60	6200	1817	1562	3970	1163	1001	13.531 (343.69)	247.65 (9.750)	184.15 (7.250)
	1 1/4	L63B652DBDB	230/208-3-60	6200	1817	1562	3970	1163	1001	327.81 (12.906)	247.65 (9.750)	184.15 (7.250)
	1 1/4	L63B652DBEB	460-3-60	6200	1817	1562	3970	1163	1001	327.81 (12.906)	247.65 (9.750)	184.15 (7.250)
	2	L63B752BBCB	230/208-1-60	7436	2179	1874	5530	1620	1394	343.69 (13.531)	247.65 (9.750)	184.15 (7.250)
	2	L63B752DBDB	230/208-3-60	7436	2179	1874	5530	1620	1394	327.81 (12.906)	247.65 (9.750)	184.15 (7.250)
	2	L63B752DBEB	460-3-60	7436	2179	1874	5530	1620	1394	327.81 (12.906)	247.65 (9.750)	184.15 (7.250)
	3	L63A113BBCA	230/208-1-60	10800	3165	2722	7310	2142	1842	378.61 (14.906)	260.35 (10.250)	206.37 (8.125)
	3	L63A113DBLA	230/200-3-60	10800	3165	2722	7310	2142	1842	378.61 (14.906)	260.35 (10.250)	206.37 (8.125)
	3	L63A113DBEA	460-3-60	10800	3165	2722	7310	2142	1842	378.61 (14.906)	260.35 (10.250)	206.37 (8.125)
	4	L63A183BBCA	230/208-1-60	18000	5274	4536	13674	4007	3446	378.61 (14.906)	260.35 (10.250)	206.37 (8.125)
	4	L63A183DBDA	230/208-3-60	18000	5274	4536	13674	4007	3446	378.61 (14.906)	260.35 (10.250)	206.37 (8.125)
	2	L63B752DBV	460/380-3-60	7436	2179	1874	5530	1620	1394	327.81 (12.906)	247.65 (9.750)	184.15 (7.250)
2	L63B752DBL	230/200-3-60	7436	2179	1874	5530	1620	1394	327.81 (12.906)	247.65 (9.750)	184.15 (7.250)	
4	L63A183DBEA	460-3-60	18000	5274	4536	13647	3999	3439	378.61 (14.906)	260.35 (10.250)	206.37 (8.125)	

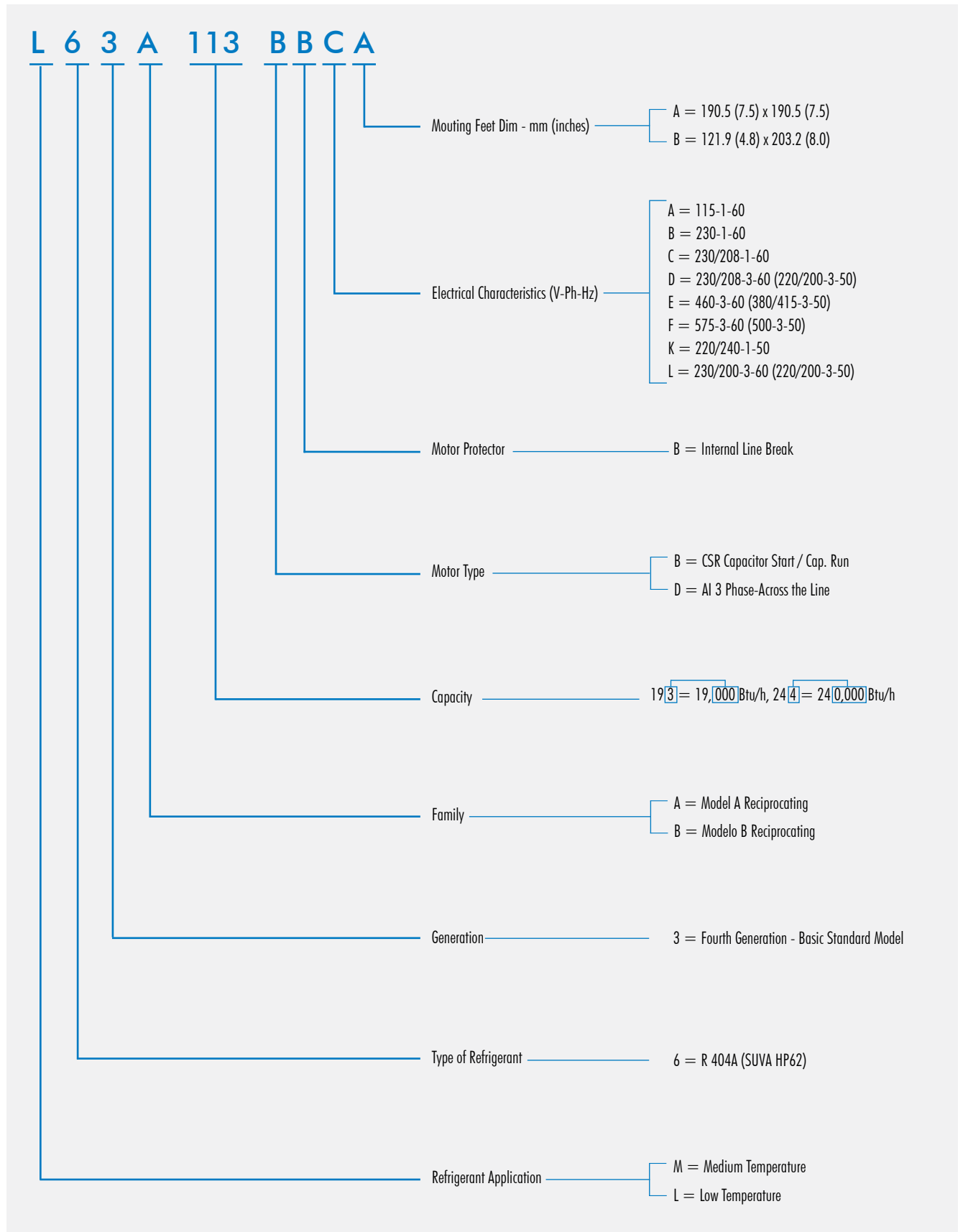
TEST CONDITION	ASHRAE		ARI	
	LBP °C (°F)	MBP °C (°F)	LBP °C (°F)	MBP °C (°F)
Evaporator	-23.3 (-10)	-6.7 (20)	-23.3 (-10)	-6.7 (20)
Condenser	54.4 (130)	54.4 (130)	48.9 (120)	48.9 (120)
Ambient	32.2 (90)	35.0 (95)	35.0 (95)	35.0 (95)
Liquid	32.2 (90)	46.1 (115)	48.9 (120)	48.9 (120)
Return Gas	32.2 (90)	35.0 (95)	4.4 (40)	4.4 (40)

# MBP R404A

# Product Data

Hz	HP	Low Temperature Model Reference	Voltage (V-Ph-Hz)	Rated Capacity @ ASHRAE			Rated Capacity @ ARI			Dimmensions		
				(Btu/h)	W	kcal	(Btu/h)	W	kcal	mm (inches)		
										H	W	D
50	1	M63B872BBKB	220/240-1-50	6610	1937	1666	5360	1571	1351	327.81 (12.906)	247.65 (9.750)	184.15 (7.250)
	1	M63B982BBKB	220/240-1-50	7450	2183	1877	6075	1780	1531	327.81 (12.906)	247.65 (9.750)	184.15 (7.250)
	1 1/2	M63B123DBDB	220/230-3-50	10000	2930	2520	8500	2491	2143	327.81 (12.906)	247.65 (9.750)	184.15 (7.250)
	1 1/2	M63B123BBKB	220/240-1-50	9450	2769	2381	7770	2277	1958	343.69 (13.531)	247.65 (9.750)	184.15 (7.250)
	2	M63B153BBKB	220/240-1-50	12662	3710	3191	10792	3162	2720	343.69 (13.531)	247.65 (9.750)	184.15 (7.250)
	2	M63B153DBEB	380/415-3-50	12315	3609	3103	10161	2977	2561	343.69 (13.531)	247.65 (9.750)	184.15 (7.250)
	2	M63B153DBLB	220/200-3-50	12315	3609	3103	10161	2977	2561	343.69 (13.531)	247.65 (9.750)	184.15 (7.250)
	2	M63B153DBV	380-415-3-50	12315	3609	3103	10161	2977	2561	343.69 (13.531)	247.65 (9.750)	184.15 (7.250)
	2 1/4	M63B203BBKB	220/240-1-50	16000	4688	4032	13326	3905	3358	369.09 (14.531)	247.65 (9.750)	184.15 (7.250)
	2 1/4	M63B203DBDB	220/230-3-50	16000	4688	4032	13326	3905	3358	343.69 (13.531)	247.65 (9.750)	184.15 (7.250)
	2 1/2	M63A243DBDA	220/230-3-50	20000	5860	5040	17000	4981	4286	378.61 (14.906)	260.35 (10.250)	8.125 (206.37)
	2 1/2	M63A243DBEA	380/415-3-50	20000	5860	5040	17000	4981	4286	378.61 (14.906)	260.35 (10.250)	8.125 (206.37)
	3	M63A273DBDA	220/230-3-50	22770	6672	5738	17964	5264	4527	378.61 (14.906)	260.35 (10.250)	8.125 (206.37)
	3	M63A273DBEA	380/415-3-50	22770	6672	5738	17964	5264	4527	378.61 (14.906)	260.35 (10.250)	8.125 (206.37)
	3	M63A273DBFA	500-3-50	22770	6672	5738	17964	5264	4527	378.61 (14.906)	260.35 (10.250)	206.37 (8.125)
	3 1/2	M63A323DBDA	220/230-3-50	26700	7824	6728	22650	6637	5710	416.71 (16.406)	260.35 (10.250)	206.37 (8.125)
	1 1/2	M63B123DBL	220/200-3-50	9875	2893	2488	8284	2427	2088	343.69 (13.531)	247.65 (9.750)	184.15 (7.250)
	3 1/2	M63A323DBL	200/220-3-50	25000	7326	6300	22250	6520	5607	416.71 (16.406)	260.35 (10.250)	206.37 (8.125)
	3 1/2	M63A323DBV	380/415-3-50	25000	7326	6300	22250	6520	5607	416.71 (16.406)	260.35 (10.250)	206.37 (8.125)
	2 1/2	M63A243DBV	380/415-3-50	19505	5715	4915	16083	4713	4053	378.61 (14.906)	260.35 (10.250)	206.37 (8.125)
2 1/2	M63A243DBL	220/200-3-50	19505	5715	4915	16083	4713	4053	378.61 (14.906)	260.35 (10.250)	206.37 (8.125)	
3 1/2	M63A323DBEA	380/415-3-50	26700	7824	6728	22650	6637	5710	416.71 (16.406)	260.35 (10.250)	206.37 (8.125)	
60	1	M63B872BBCB	230/208-1-60	8710	2552	2195	6707	1965	1690	327.81 (12.906)	247.65 (9.750)	184.15 (7.250)
	1	M63B982BBCB	230/208-1-60	9500	2784	2394	7716	2261	1945	327.81 (12.906)	247.65 (9.750)	184.15 (7.250)
	1 1/2	M63B123DBDB	230/208-3-60	12000	3516	3024	10200	2989	2571	327.81 (12.906)	247.65 (9.750)	184.15 (7.250)
	1 1/2	M63B123BBCB	230/208-1-60	12000	3516	3024	10200	2989	2571	343.69 (13.531)	247.65 (9.750)	184.15 (7.250)
	2	M63B153BBCB	230/208-1-60	15555	4558	3920	13002	3810	3276	343.69 (13.531)	247.65 (9.750)	184.15 (7.250)
	2	M63B153DBEB	460-3-60	15110	4428	3808	12785	3746	3222	343.69 (13.531)	247.65 (9.750)	184.15 (7.250)
	2	M63B153DBV	460-380-3-60	14500	4249	3654	12390	3630	3123	343.69 (13.531)	247.65 (9.750)	184.15 (7.250)
	2	M63B153DBLB	230-200-3-60	15110	4428	3808	12785	3746	3222	343.69 (13.531)	247.65 (9.750)	184.15 (7.250)
	2 1/4	M63B203BBCB	230/208-1-60	19600	5743	4939	15903	4660	4008	343.69 (13.531)	247.65 (9.750)	184.15 (7.250)
	2 1/4	M63B203DBDB	230/208-3-60	19600	5743	4939	15903	4660	4008	343.69 (13.531)	247.65 (9.750)	184.15 (7.250)
	2 1/2	M63A243BBCA	230/208-1-60	24400	7150	6149	20465	5997	5157	378.61 (14.906)	260.35 (10.250)	206.37 (8.125)
	2 1/2	M63A243DBDA	230/208-3-60	24000	7033	6048	20375	5970	5136	378.61 (14.906)	260.35 (10.250)	206.37 (8.125)
	2 1/2	M63A243DBEA	460-3-60	24000	7033	6048	20375	5970	5136	378.61 (14.906)	260.35 (10.250)	206.37 (8.125)
	3	M63A273BBCA	230/208-1-60	26650	7809	6716	22150	6490	5582	378.61 (14.906)	260.35 (10.250)	206.37 (8.125)
	3	M63A273DBDA	230/208-3-60	26650	7809	6716	22150	6490	5582	378.61 (14.906)	260.35 (10.250)	206.37 (8.125)
	3	M63A273DBEA	460-3-60	26650	7809	6716	22150	6490	5582	378.61 (14.906)	260.35 (10.250)	206.37 (8.125)
	3	M63A273DBFA	575-3-60	26000	7619	6552	21650	6344	5456	378.61 (14.906)	260.35 (10.250)	206.37 (8.125)
	3 1/2	M63A323BBCA	230/208-1-60	30180	8843	7605	25300	7413	6376	416.71 (16.406)	260.35 (10.250)	206.37 (8.125)
	3 1/2	M63A323DBDA	230/208-3-60	32000	9377	8064	27150	7955	6844	416.71 (16.406)	260.35 (10.250)	206.37 (8.125)
	2 1/2	M63A243DBL	230/200-3-60	23780	6968	5993	20450	5992	5153	378.61 (14.906)	260.35 (10.250)	206.37 (8.125)
3 1/2	M63A323DBL	230/200-3-60	30000	8791	7560	25550	7487	6438	416.71 (16.406)	260.35 (10.250)	206.37 (8.125)	
2 1/2	M63A243DBV	460/380-3-60	23780	6968	5993	20450	5998	5158	378.61 (14.906)	260.35 (10.250)	206.37 (8.125)	
3 1/2	M63A323DBV	460/380-3-60	30000	8791	7560	25550	7487	6439	416.71 (16.406)	260.35 (10.250)	206.37 (8.125)	
1 1/2	M63B123DBL	230/200-3-60	11800	3458	2974	10100	2960	2545	343.69 (13.531)	247.65 (9.750)	184.15 (7.250)	
3 1/2	M63A323DBEA	460-3-60	32000	9377	8064	27150	7955	6844	416.71 (16.406)	260.35 (10.250)	206.37 (8.125)	

## Compressor Model / Number System





Brazil

Rui Barbosa, 1020 - P.O. BOX 91  
89219-901 - Joinville - SC - Brazil  
Phone: +55 47 3441-2121  
Fax: +55 47 3441-2780



Italy

Via Buttigliera 6  
10020 - Riva Presso Chieri (Torino) - Italy  
P.O. BOX 151 - 10023 Chieri (TO)  
Phone: +39 011 943-7111  
Fax: +39 011 946-8377  
+39 011 946-9950



Slovakia

Odorínska Cesta, 2 - 052-01  
Spišská Nová Ves - Slovakia  
Phone: +42 153 417-2291  
+42 153 417-2293  
Fax: +42 153 417-2299

Europe - Sales Office  
Zona Industriale D1 - Via Fratelli Gambino, 7  
10023 - Chieri (Torino) - Italy  
Phone: +39 011 940-5611  
Fax: +39 011 940-5656



U.S.A.

2800 Vista Ridge Drive NE  
Suwanee, GA 30024-3510  
Phone: +1 678 804-1337  
Fax: +1 678 804-1338

México - Sales Office  
Torre Alestra, Piso 3 - Office 321  
Av. Lázaro Cárdenas 2321 Pte.  
P.O. BOX 66260 - San Pedro Garza García  
Nuevo León - México  
Phone: +52 81 1001-7102  
Fax: +52 81 1001-7142



China

29 Yuhua Road  
Area B of Beijing Tianzhu Airport Industrial Zone  
101312 - Beijing - China  
Phone: +86 10 8048-2255  
Fax: +86 10 6725-6825

[www.embraco.com](http://www.embraco.com)



Embraco is participating in the United Nations Global Compact.